

---

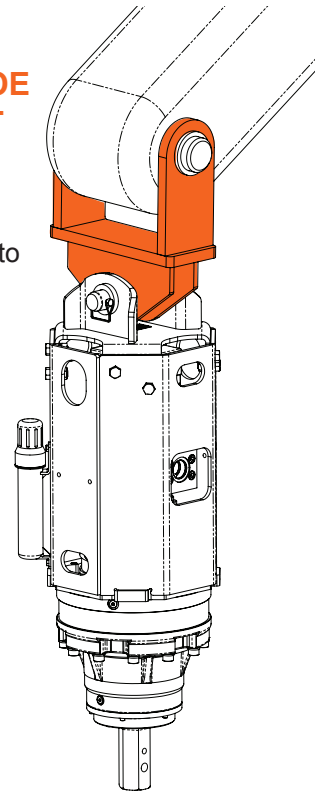
**DRIVE MOUNTS | Typical Mount Configurations**

**Pengo  
provides  
a full range  
of mounting  
brackets.**

*Contact us  
for more details.*

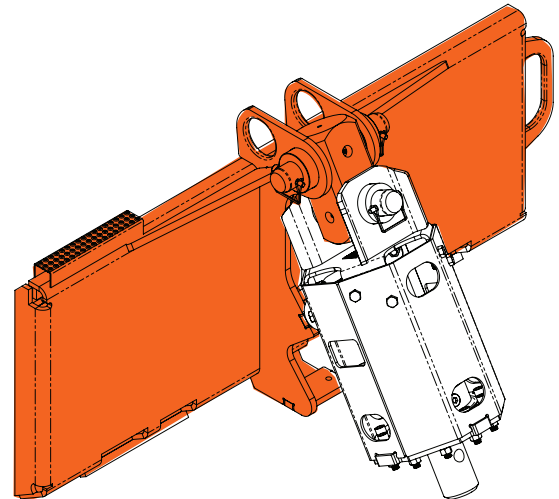
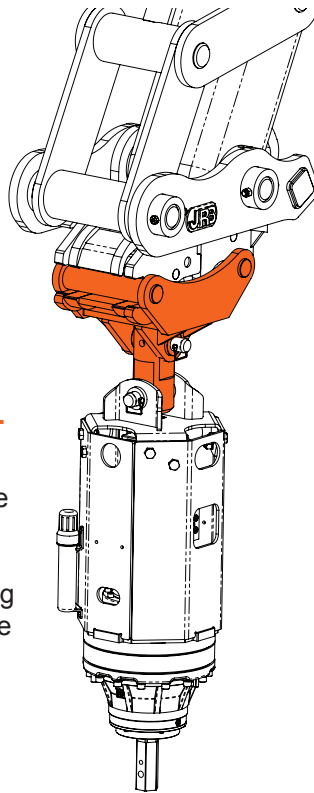
### EXCAVATOR / BACKHOE END OF BOOM MOUNT

Mounting Bracket connects directly to the boom with the customer supplied connection pin. The Drive Unit connects to the Mounting Bracket with the supplied connection pin.



### EXCAVATOR / BACKHOE QUICK COUPLER MOUNT

Mounting Bracket connects to the quick coupler when the jaws of the quick coupler engage the pins on the Mounting Bracket. The Link Arm connects to both the Mounting Bracket and the Drive Unit with the supplied connection pins.



### SKID LOADER MOUNT ATTACHMENT PLATE

Attachment Plate connects to the mounting plate on the front of the Skid Loader. The Link Arm connects to both the Attachment Plate and the Drive Unit with the supplied connection pins.

