



PALADIN UTILITY

*We're Breaking
New Ground!*

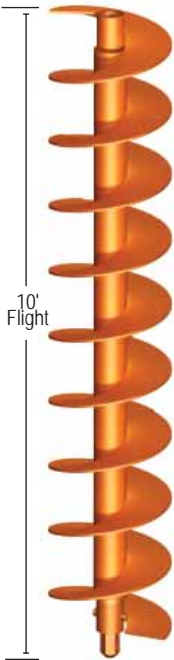


**Quick Change
Boring Head System
for Excavator Augers**

EXCAVATOR AUGERS

One Flight Body

5', 10' or 20' Flights Available



No need to carry two augers, use one Quick Change flight body with multiple interchangeable heads.

FLIGHT BODIES

Dia. In.		5' Flight Part No.	10' Flight Part No.	20' Flight Part No.
16	FEX-16	165442	165450	165451
18	FEX-18	165443	165452	165453
20	FEX-20	165444	165454	165455
24	FEX-24	165445	165456	165457
30	FEX-30	165446	165458	165459
36	FEX-36	165447	165460	165461
42	FEX-42	165448	165462	165463
48	FEX-48	165449	165464	165465

OPTION 1 CARBIDE & DIRT HEADS

	Dirt Part No.	Carbide Part No.
POEXDH-16	165470	165471
POEXDH-18	165472	165473
POEXDH-20	165474	165475
POEXDH-24	165476	165477
POEXDH-30	165478	165479
POEXDH-36	165480	165481
POEXDH-42	165482	165483
POEXDH-48	165484	165485

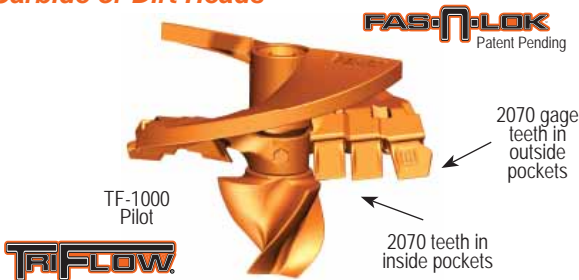
OPTION 2 SPIRAL ROCK HEADS

Description	Part No.
POEXSRH-16	165490
POEXSRH-18	165492
POEXSRH-20	165494
POEXSRH-24	165496
POEXSRH-30	165498
POEXSRH-36	165500
POEXSRH-42	165522
POEXSRH-48	165524

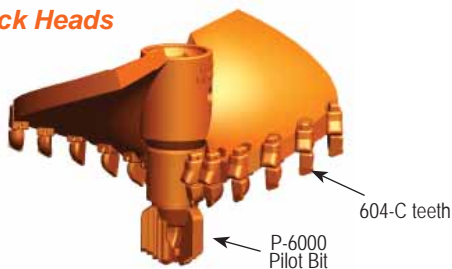
OPTION 3 ROCK RIPPER® HEADS

Description	Part No.
POEXRRH-16	165510
POEXRRH-18	165512
POEXRRH-20	165514
POEXRRH-24	165516
POEXRRH-30	165518
POEXRRH-36	165520
POEXRRH-42	165522
POEXRRH-48	165524

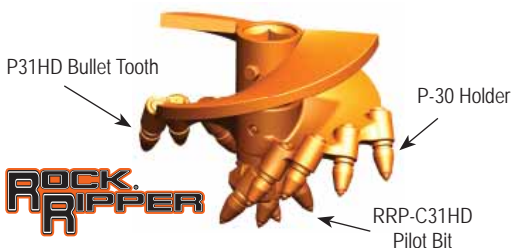
Option 1 Carbide or Dirt Heads



Option 2 Spiral Rock Heads



Option 3 Rock Ripper® Heads

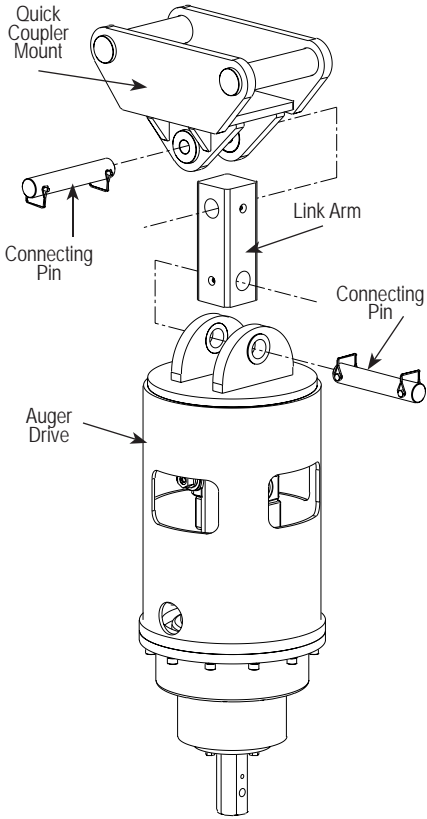


H300 x 24" OAL

3" Hex EXTENSIONS

Description	Part No.
H300 X 24" OAL	134870
H300 X 36" OAL	134871
H300 X 48" OAL	134872
H300 X 60" OAL	134844
H300 X 72" OAL	134847
H300 X 102" OAL	134828

EXCAVATOR AUGERS - REPLACEMENT PARTS



MOUNTING BRACKETS

Contact Pengo Sales
at 1-800-599-0211
for machine
specific requests!



Due to varying manufacturers tolerances,
Rub-R-Lok might be necessary to obtain the correct fit.

DIRT / CARBIDE HEADS

DIRT

2070 Dirt Fas-N-Lok™	140000
2070 Hard Faced	140271
1070 Dirt Chisel	140250
TF-1000 Triflow Pilot Bit	137345
6" OD x 2 1/2" Sq. Adapter	151598

CARBIDE

1076 Carbide	140255
2077 Carbide Fas-N-Lok™	140003
2078 Carbide Gage Fas-N-Lok™	140004
2079 Carbide Fas-N-Lok™	140001

SPIRAL ROCK HEADS

Description	Part No.
P-6000 Carbide Pilot Bit 4-3/4	151275
604-C Carbide Faced Tooth	140065
1604 Tooth Holder	157000

ROCK RIPPER® HEADS

Description	Part No.
C31HD Pilot	135936
P31HD Bullet Teeth	990011
P-30 Holder	990001



Unmatched quality. Unsurpassed ingenuity. Uncompromising service. They're not just hallmarks of the Paladin family of brands. They're what make us one of the most trusted names in the North American construction industry.

FIVE TEAMS.
ELEVEN BRANDS.
THOUSANDS
OF PRODUCTS.
ONE GREAT
COMPANY.



PALADIN

POWERFUL CONSTRUCTION ATTACHMENTS



PENGO

PALADIN UTILITY

For complete details
and specifications contact:

Pengo
500 East Highway 10
Laurens, IA 50554
PH: (800)599-0211
FX: (712)845-2497
www.pengoattachments.com
pengosales@paladinbrands.com

© copyright 2009 Pengo®