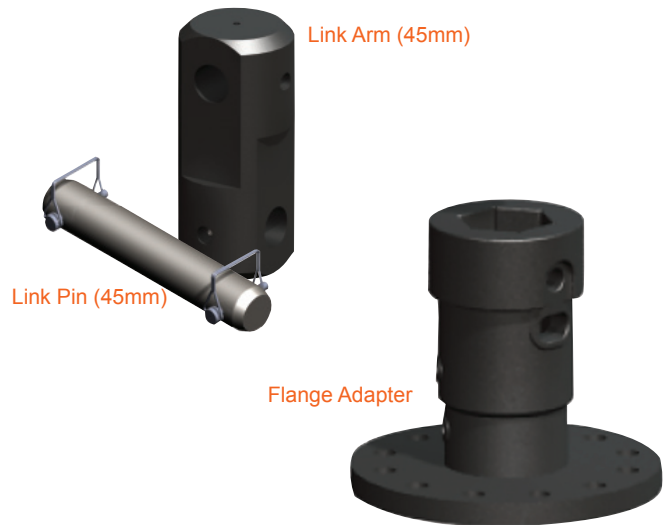


ACCESSORIES | LINK ARMS and PINS

ITEM DESCRIPTION	PART NO.
Link Arm 45mm (shown)	660555
Link Arm 75mm	610202
Pin Assembly 45mm (shown)	660558
Pin 75mm	660554


ACCESSORIES | FLANGE ADAPTERS

ITEM DESCRIPTION	PART NO.
H-250 Hex Flange Adapter	660947
H-300 Hex Flange Adapter	660949
S-400 Hex Flange Adapter	660951

ACCESSORIES | DRIVE TOOLS

DRIVE	SHAFT	PART NO.
DS-2	2" Hex	158136
DS-3	2" Hex	158136
DT-5	2 1/2" Hex	158132
DT-15	3" Hex	158137
RS-7X	2" Hex	158136
RS-7	2" Hex	158136
RS-12	2 1/2" Hex	158132
RT-9	2 1/2" Hex	158132

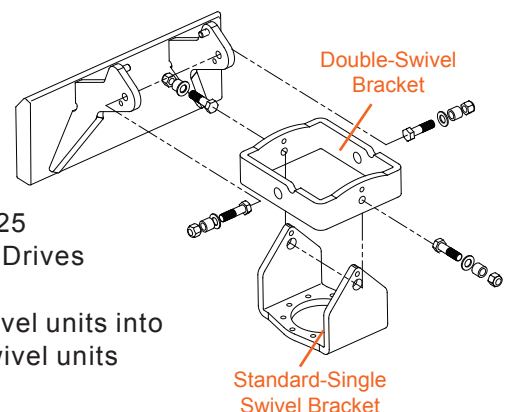
DRIVE	SHAFT	PART NO.
RT-12	2 1/2" Hex	158132
RT-20	3" Hex	158137
RT-30	4" Square	660951
RT-40	130mm Square	610301
RV-70	150mm Square	610302
RV-100	177mm Square	610303
RV-140	177mm Square	610303
RV-200	200mm Square	610304

FEATURES

- Converts RS-7X Planetary Drive to RS-7 Planetary Drive
- With bail kit and mount the RS-7X drive can be used with skid steer, also will work with mini excavator and mini digger derricks


FEATURES

- For Use with MS-100 and MS-125 Planetary Drives
- Convert single-swivel units into double-swivel units


ACCESSORIES | RS-7X BAIL ASSEMBLY

ITEM DESCRIPTION	PART NO.
Bail Assembly Kit for RS-7	610288

ACCESSORIES | SWIVEL BRACKET

ITEM DESCRIPTION	PART NO.
Double Swivel Bracket	700215

Information Disclaimer: Pengo has made every attempt to present accurate and suitable information published in this catalog. This catalog should be used for information and comparative purposes only. When application specific information is required, please contact Pengo at 1-800-599-0211. Pengo continually looks for new ways to improve its products. Therefore, Pengo reserves the right to make changes to our products and specifications without notice.