

ANCHOR | RS-12

FEATURES

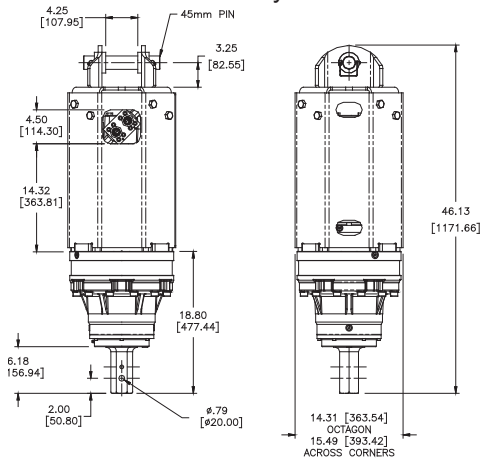
- Highly Efficient Gearbox
- Single Speed
- Removable Top Section
- Transducer-Ready Ports; RevTrak Compatible



PART NO.	MODEL	CONNECTION	EXCAVATOR
610157	RS-12	H-250	11T-17T

ACCESSORIES

- 661111 Universal Mounting Plate for Skid-Steer
- 610309 RevTrak™ Monitoring System
- 610318 RS-12 Drive with RevTrak Installed
- 660555 Link Arm 45mm
- 660558 Pin Assembly 45mm



REVOLUTION SERIES

TOTAL UNIT WEIGHT	546 LBS / 248 Kg
HYDRAULIC MOTOR INFORMATION	
Displacement	23.9 cu/in (390cc)
Motor Type	Single Speed Bi-Directional
Motor Output Shaft	1-1/2" Spline 17T
Motor Mount	SAE - C 4 Bolt
Motor Ports	1-1/16" - 12 O-Ring
Cross Over Pressure Relief	Set @ 3100 psi
PLANETARY GEARBOX INFORMATION	
Gearbox Type	Planetary Two Stage
Reduction Ratio	17.39:1
Output Shaft	2-1/2" Hex
Oil Capacity	1.7 Gallons
Oil Type	SAE 80W90 GL-5
Shaft Pull Out (lbs.)	22,500 lbs.

REFERENCE TORQUE CHART		
Pressure PSI (Bar)	Torque (ft/lbs)	
1600 (110)	6941	
1800 (124)	7808	
2000 (137)	8677	
2200 (151)	9544	
2400 (165)	10411	
2600 (179)	11280	
2800 (193)	12147	
3000 (206)	13014	

REFERENCE SPEED CHART		
Flow GPM (Liter)	Speed (rpm)	
15 (56)	7	
20 (75)	9	
25 (94)	11	
30 (113)	13	
35 (132)	15	
40 (151)	18	

Output speed and torque specifications are NOT listed at 100% efficiency. Maximum efficiencies have been applied to the torque and speed charts according to the manufacturers recommendations. Speed and torque output are dependant on the overall system efficiencies associated with the prime movers hydraulic system. When the purchaser is determining criteria for specific applications please contact Pengo. Pengo has made every attempt to present accurate and suitable information published on this document. This document should be used for information and comparative purposed only. When application specific information is required, please contact Pengo.