

DRILLING or ANCHOR | RT-40

FEATURES

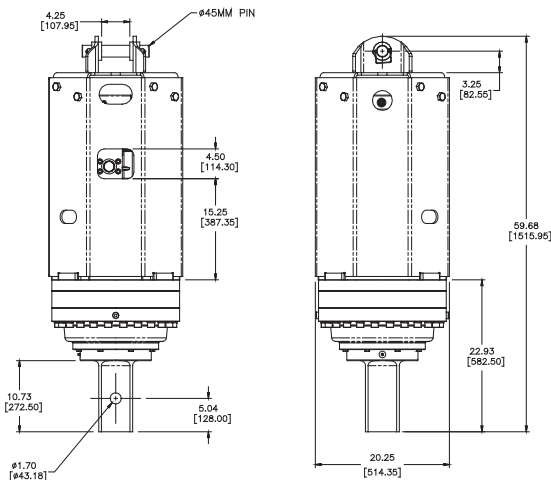
- Highly Efficient Gearbox
- Two Speed
- Removable Top Section
- Transducer-Ready Ports; RevTrak Compatible



PART NO.	MODEL	CONNECTION	EXCAVATOR
610162	RT-40	H-400	20T-30T

ACCESSORIES

610309	RevTrak™ Monitoring System
610323	RT-40 Drive with RevTrak Installed
660555	Link Arm 45mm
660558	Pin Assembly 45mm



REVOLUTION
SERIES

AUTO
SHIFT

TOTAL UNIT WEIGHT	1352 LBS / 613 Kg
HYDRAULIC MOTOR INFORMATION	
Displacement	13.9 cu/in (227cc)
Motor Type	Two Speed Bi-Directional
Motor Output Shaft	1-1/4" Spline 14T
Motor Mount	SAE - C 4 Bolt
Motor Ports	1-5/8" - 12 UN-2B
Cross Over Pressure Relief	Set @ 3100 psi
PLANETARY GEARBOX INFORMATION	
Gearbox Type	Planetary Three Stage
Reduction Ratio	90.39:1
Output Shaft	130mm Square
Oil Capacity	3.7 Gallons
Oil Type	SAE 80W90 GL-5
Shaft Pull Out (lbs.)	60,000 lbs.

REFERENCE TORQUE CHART		
Pressure PSI (Bar)	High Torque (ft/lbs)	Low Torque (ft/lbs)
1600 (110)	21074	10537
1800 (124)	23708	11854
2000 (137)	26343	13171
2200 (151)	28976	14488
2400 (165)	31611	15806
2600 (179)	34245	17122
2800 (193)	36880	18439
3000 (206)	39514	19757

REFERENCE SPEED CHART		
Flow GPM (Liter)	Low Speed (rpm)	High Speed (rpm)
20 (75)	3	6
30 (113)	4	9
40 (151)	6	12
50 (190)	7	15

TWO SPEED MODELS MUST HAVE A MINIMUM OF 20GPM.

Output speed and torque specifications are NOT listed at 100% efficiency. Maximum efficiencies have been applied to the torque and speed charts according to the manufacturers recommendations. Speed and torque output are dependant on the overall system efficiencies associated with the prime movers hydraulic system. When the purchaser is determining criteria for specific applications please contact Pengo. Pengo has made every attempt to present accurate and suitable information published on this document. This document should be used for information and comparative purposed only. When application specific information is required, please contact Pengo.