

# ANCHOR | RT-9

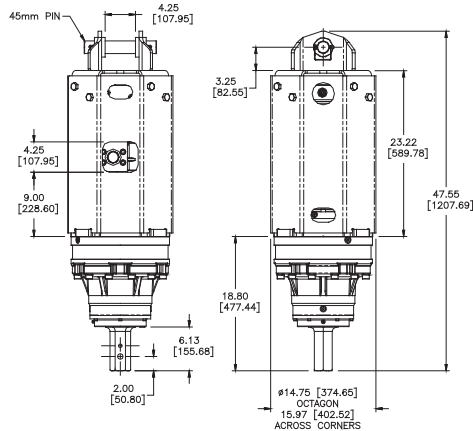
## FEATURES

- Highly Efficient Gearbox
- Two Speed
- Removable Top Section
- Transducer-Ready Ports; RevTrak Compatible

PART NO.	MODEL	CONNECTION	EXCAVATOR
610058	RT-9	H-250	8T-13T

## ACCESSORIES

- 661111 Universal Mounting Plate for Skid-Steer
- 610309 RevTrak™ Monitoring System
- 610319 RT-9 Drive with RevTrak Installed
- 660555 Link Arm 45mm
- 660558 Pin Assembly 45mm



**REVOLUTION** SERIES

**AUTO SHIFT**

<b>TOTAL UNIT WEIGHT</b>	540 LBS / 245 Kg
<b>HYDRAULIC MOTOR INFORMATION</b>	
Displacement	11.9 cu/in (195cc)
Motor Type	Two Speed Bi-Directional
Motor Output Shaft	1-1/4" Spline 14T
Motor Mount	SAE - C 4 Bolt
Motor Ports	1-5/8" - 12 UN-2B
Cross Over Pressure Relief	Set @ 3100 psi
<b>PLANETARY GEARBOX INFORMATION</b>	
Gearbox Type	Planetary Two Stage
Reduction Ratio	25.36:1
Output Shaft	2-1/2" Hex
Oil Capacity	1.7 Gallons
Oil Type	SAE 80W90 GL-5
Shaft Pull Out (lbs.)	22,500 lbs.

REFERENCE TORQUE CHART		
Pressure PSI (Bar)	High Torque (ft/lbs)	Low Torque (ft/lbs)
1600 (110)	5253	2626
1800 (124)	5910	2954
2000 (137)	6567	3283
2200 (151)	7223	3611
2400 (165)	7880	3940
2600 (179)	8536	4268
2800 (193)	9193	4596
3000 (206)	9850	4925

REFERENCE SPEED CHART		
Flow GPM (Liter)	Low Speed (rpm)	High Speed (rpm)
20 (75)	13	25
30 (113)	19	38
40 (151)	25	50
50 (190)	31	63

**TWO SPEED MODELS MUST HAVE A MINIMUM OF 20GPM.**

Output speed and torque specifications are NOT listed at 100% efficiency. Maximum efficiencies have been applied to the torque and speed charts according to the manufacturers recommendations. Speed and torque output are dependant on the overall system efficiencies associated with the prime movers hydraulic system. When the purchaser is determining criteria for specific applications please contact Pengo. Pengo has made every attempt to present accurate and suitable information published on this document. This document should be used for information and comparative purposed only. When application specific information is required, please contact Pengo.