

ANCHOR | RV-70

FEATURES

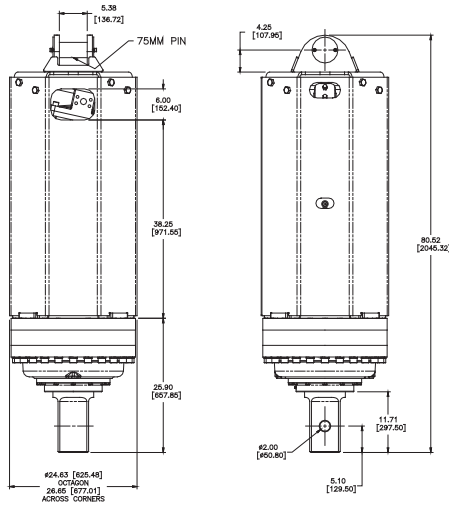
- Highly Efficient Gearbox
- Variable Speed Piston Motor
- Quick Couplers Installed on Motor
- Transducer-Ready Ports; RevTrak Compatible



PART NO.	MODEL	CONNECTION	EXCAVATOR
610163	RV-70	150MM SQ	30T-40T

ACCESSORIES

- 610309 RevTrak™ Monitoring System
- 610324 RV-70 Drive with RevTrak Installed
- 610202 Link Arm 75mm
- 660554 Pin Assembly 75mm



REVOLUTION
GEARBOX

TOTAL UNIT WEIGHT	3200 LBS / 1451 Kg
HYDRAULIC MOTOR INFORMATION	
Displacement	13.73 cu/in (225cc)
Motor Type	Variable Speed Bi-Directional
Motor Output Shaft	13T 8/16 DP Spline
Motor Mount	SAE - D 4 Bolt
Motor Ports	Code 62 SAE Split Flange
Cross Over Pressure Relief	Not Equipped
PLANETARY GEARBOX INFORMATION	
Gearbox Type	Planetary Three Stage
Reduction Ratio	129.86:1
Output Shaft	150mm Square
Oil Capacity	9.2 Gallons
Oil Type	SAE 80W90 GL-5
Shaft Pull Out (lbs.)	100,000 lbs.

REFERENCE TORQUE CHART		
Pressure PSI (Bar)	High Torque (ft/lbs)	Low Torque (ft/lbs)
2800 (193)	56995	28484
2900 (200)	59030	29502
3000 (206)	61066	30519
3100 (213)	63101	31536
3200 (220)	65137	32554
3300 (227)	67172	33571
3400 (234)	69208	34588
3500 (241)	71244	35606

REFERENCE SPEED CHART		
Flow GPM (Liter)	Low Speed (rpm)	High Speed (rpm)
60 (227)	7	13
70 (264)	8	16
80 (302)	9	18
90 (340)	10	20
100 (378)	11	22

Output speed and torque specifications are NOT listed at 100% efficiency. Maximum efficiencies have been applied to the torque and speed charts according to the manufacturers recommendations. Speed and torque output are dependant on the overall system efficiencies associated with the prime movers hydraulic system. When the purchaser is determining criteria for specific applications please contact Pengo. Pengo has made every attempt to present accurate and suitable information published on this document. This document should be used for information and comparative purposed only. When application specific information is required, please contact Pengo.