

AG AGGRESSOR®

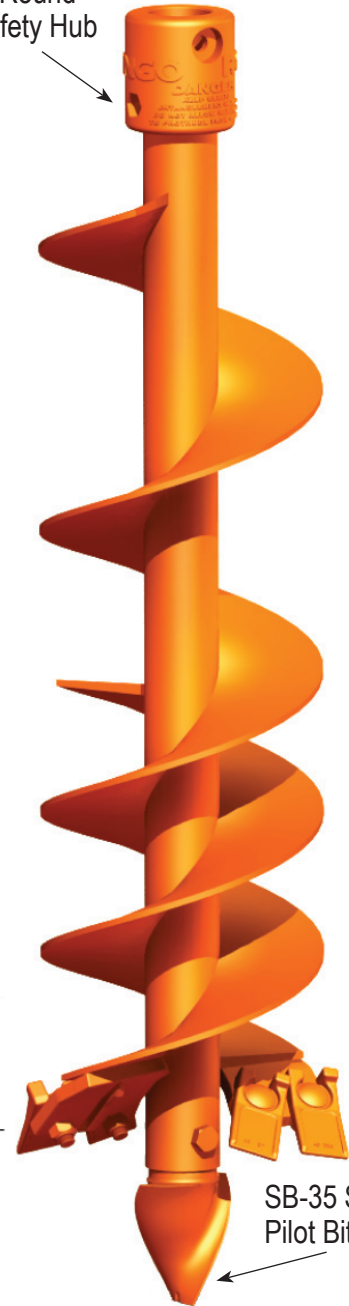
*For Use with Mini Skid Steer
and Post Hole Diggers*

FEATURES

- Teeth: Optimize your drilling efficiency with 40/50 dual angle teeth. Featuring Pengo's Triple Locking System that allows your teeth to stay secured at either the 40° or 50° angle.
- Forge Alloy Steel teeth available in:
 - Standard—Standard drilling
 - Hardface—Abrasive soil/impact
 - Carbide—Rock/Abrasive soil
- Pilot Bit: Hardened, Cast Alloy two-flute pilot bit
- Compatibility: Teeth and TriFlow® wear parts
- Lengths: 42" and 48"
- Diameters: 6", 9", and 12"
- Flights: Semi-Double — 3/16" Heliocoid
- 3-Point Lock Lug and Bolt
- Fasteners
- Hubs: 2" Round Safety Hub with hex recesses for connecting hardware

**Exclusive
Pengo Feature!**

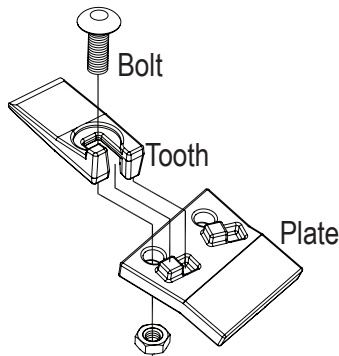
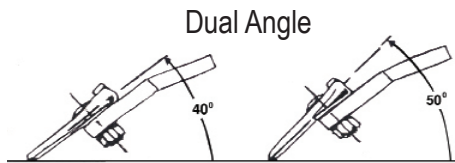
2" Round
Safety Hub



SB-35 S175
Pilot Bit

AG AGGRESSOR®

	42" Length	48" Length
6"	553225	
9"	553226	
12"	553227	
15"		553228
18"		553229
24"		553230



Teeth

134501	40/50 Dirt
134802	40/50HFF Hardfaced
134519	40/50C Carbide

Pilot Bits

151318	SB-35 S175
--------	------------