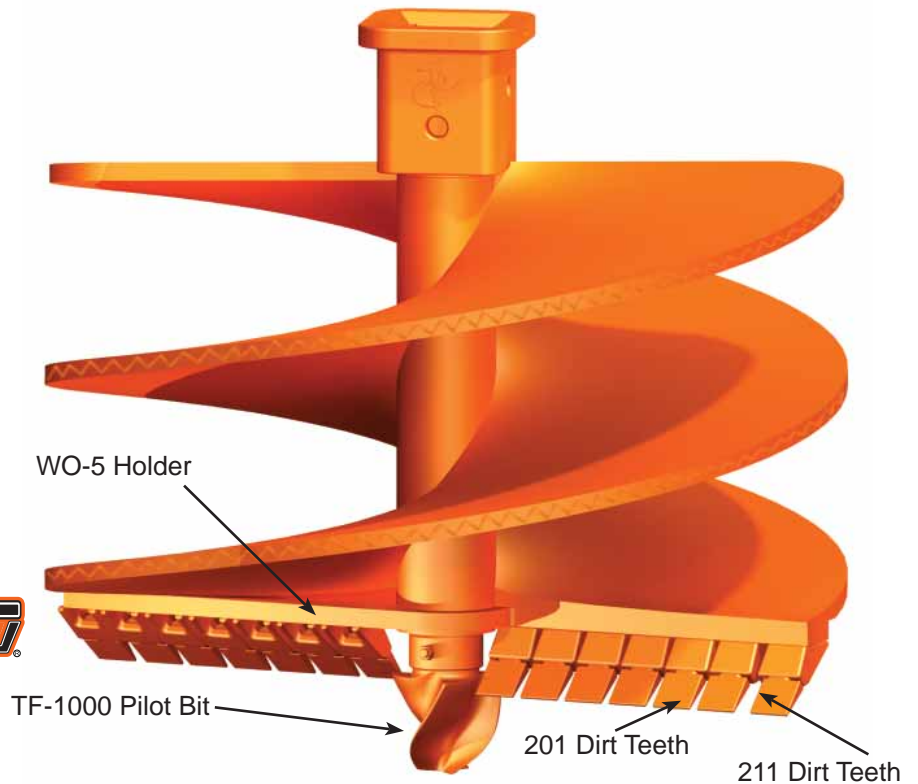


EXTREME DUTY DIRT AUGERS



TRIFLOW



48" Length - Double

DIAMETER	130MM	150MM	177MM	200MM
24"	752170	752280	752390	752500
30"	752175	752285	752395	752505
36"	752180	752290	752400	752510
42"	752185	752295	752405	752515
48"	752190	752300	752410	752520
54"	752195	752305	752415	752525
60"	752200	752310	752420	752530
66"	752205	752315	752425	752535
72"	752210	752320	752430	752540
84"	752215	752325	752435	752545
96"	752220	752330	752440	752550

60" Length - Double Cut/Single Carry

DIAMETER	130MM	150MM	177MM	200MM
24"	752225	752335	752445	752555
30"	752230	752340	752450	752560
36"	752235	752345	752455	752565
42"	752240	752350	752460	752570
48"	752245	752355	752465	752575
54"	752250	752360	752470	752580
60"	752255	752365	752475	752585
66"	752260	752370	752480	752590
72"	752265	752375	752485	752595
84"	752270	752380	752490	752600
96"	752275	752385	752495	752605

GENERAL SPECIFICATIONS

Use: Soil, Sand, Clays and Soft Rock Formations
 Types: Double and Single Cut
 Dia.: 24" - 96" diameters available
 OAL: 48" & 60"
 Flight: Double Cut / Single Carry
 Double Cut / Double Carry
 Flight: 1-1/2" thick, dia 1-1/2" smaller than cut diameter
 Hubs: 130MM, 150MM, 177MM, 200MM
 Ctr Tube: 6" OD x 1" W to 12" OD x 1" W (specific to hub size)
 Holders: W05
 Teeth: 201, 211, 299
 Pilot Bit: TriFlow® Pilot Bit
 TF600 Cast with 1 3/4" Sq. Stem on 16"-30" Cut Dia.
 TF1000 Cast with 2 1/2" Sq. Stem on 36"-96" Cut Dia.

OTHER SIZES AVAILABLE FOR HUB, OAL, AND DIAMETER



500 E. Highway 10, Laurens, IA 50554 - 800.599.0211
 email: pengosales@paladinbrands.com www.pengoattachments.com