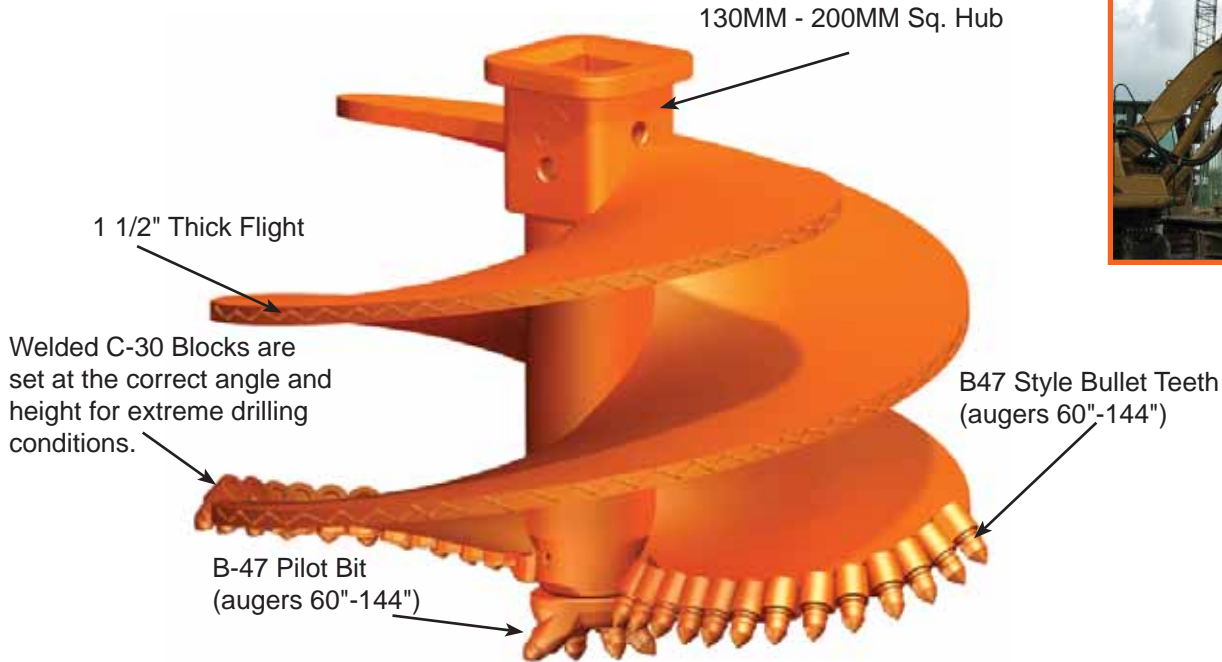


EXTREME DUTY ROCK AUGERS

For Heavy-Duty Drilling Conditions



48" Length - Double Cut/Double Carry

DIAMETER	130MM	150MM	177MM	200MM
24"	751625	751800	751960	752010
30"	751630	751805	751965	752015
36"	751635	751810	751970	752020
42"	751640	751815	751975	752025
48"	751645	751820	751980	752030
54"	751525	751715	751875	752035
60"	751530	751720	751880	752040
66"	751535	751725	751885	752045
72"	751540	751730	751890	752050
84"	751545	751735	751895	752055
96"	751550	751740	751900	752060

60" Length - Double Cut/Double Carry

DIAMETER	130MM	150MM	177MM	200MM
24"	751665	751825	751985	752065
30"	751670	751830	751990	752070
36"	751675	751835	751995	752075
42"	751680	751840	751200	752080
48"	751685	751845	751205	752085
54"	751580	751770	751930	752090
60"	751585	751775	751935	752095
66"	751590	751780	751940	752100
72"	751595	751785	751945	752105
84"	751600	751790	751950	752110
96"	751605	751795	751955	752115

GENERAL SPECIFICATIONS

- Use: Fracturable Rock
- Types: Semi - Flat and Spiral Cut
- OAL: 48", 60", 96"
Double Cut / Single Carry
Double Cut / Double Carry
Single Cut / Single Carry
- Flight: 1-1/2" thick, dia 1-1/2" smaller than cut diameter, hardfaced
- Hubs: 130MM, 150MM, 177MM, 200MM
- Holders: C-30 Style holders on augers up to 54" Dia.
C4 Style holders on augers 60"-144" Dia.
- Teeth: C31HD Style bullet teeth on augers up to 54" Dia.
B47 Style Style teeth on augers 60"-144" Dia
- Pilot Bit: C31HD Cluster with 2-1/2" sq. stem on augers 24"-54" Dia.
B47 Cluster with 2-1/2" sq. stem on augers 60"-144"

OTHER SIZES AVAILABLE FOR HUB, OAL, AND DIAMETER



500 E. Highway 10, Laurens, IA 50554 - 800.599.0211
email: pengosales@paladinbrands.com www.pengoattachments.com