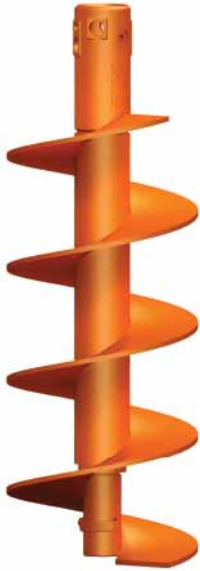


GP QUICK CHANGE

One Flight Body

O.A.L. 42"
assembled

Standard Hubs
Available:
2" Round
2 1/2" Round
2" Hex



Quick Change Connection
6" - 12" Diameter = 1 5/8" Hex
16" - 24" Diameter = 2" Hex

FLIGHT BODIES

	2" Rnd	2" Hex	2 9/16" Rnd
FGP-6	101270	101269	553710
FGP-8	101273	101272	553711
FGP-9	101276	101275	553712
FGP-10	101279	101278	553713
FGP-12	101282	101281	553714
FGP-16	101285	101284	553716
FGP-18	101288	101287	553718
FGP-20	101291	101290	553720
FGP-24	101294	101293	553719
FGP-30	101297	101926	135670

OPTION 1 TriMax®

Part No.

POTMH-6	553700
POTMH-8	553701
POTMH-9	553702
POTMH-10	553703
POTMH-12	553704
POTMH-16	553705
POTMH-18	553706
POTMH-20	553707
POTMH-24	553708
POTMH-30	553709

OPTION 2 STEP ROCK HEADS

Part No.

POLRH-6	553690
POLRH-8	553691
POLRH-9	553692
POLRH-10	553693
POLRH-12	553694
POLRH-16	553696
POLRH-18	553697
POLRH-20	553698
POLRH-24	553699
POLRH-30	135674

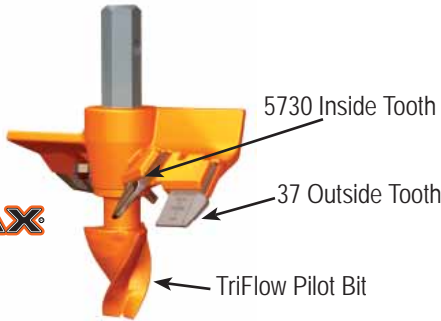
OPTION 3 ROCK RIPPER® HEADS

Part No.

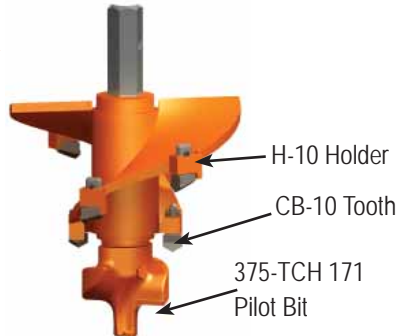
6-POLRR	133649
9-POLRR	133659
10-POLRR	133660
12-POLRR	133661
16-POLRR	133662
18-POLRR	133663
20-POLRR	133664
24-POLRR	133665
30-POLRR	133666

Option 1 TriMax®

TRIMAX



Option 2 Step Rock Heads



Option 3 Rock Ripper® Heads

ROCK RIPPER

