

DIRT AUGER

GENERAL SPECIFICATIONS

Application:	Sand & Soil
Types:	Double Cut / Single Carry
Sizes (Auger Dia.):	16" - 72"
OAL:	48" & 60"
	Double Cut/Single Carry
Head:	X
Flight:	1 1/2" Thick Lead Flight, 3/4" Carry Hardfaced
Hubs:	4" Square
Center Tubes:	5" OD x 1" W
Holder:	C-30 on fabricated head
Teeth:	201, 211, 299 Carbide
Pilot Bit:	TriFlow® Pilot Bit TF600 Cast with 1 3/4" Sq. Stem on 16"-30" Cut Dia. TF1000 Cast with 2 1/2" Sq. Stem on 36"-96" Cut Dia.

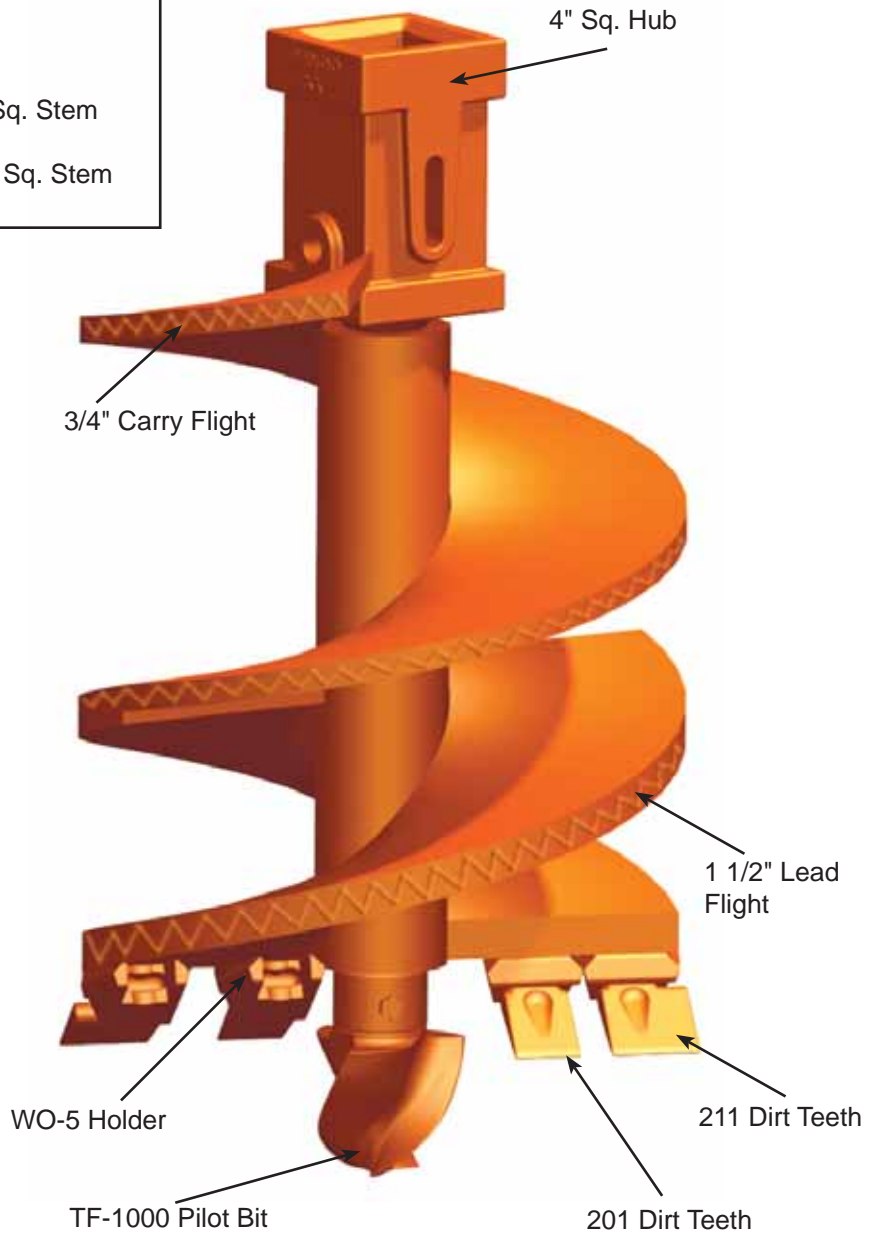
**Other sizes available for hub, OAL, and diameters.
Please call 800-599-0211 for quote.**

48" Length - 4" Sq. Hub

Part No.	Description
761166	16-LFDD-48
761168	18-LFDD-48
761170	20-LFDD-48
761172	24-LFDD-48
761166	30-LFDD-48
761112	36-LFDD-48
761114	42-LFDD-48
761116	48-LFDD-48
761118	54-LFDD-48
761120	60-LFDD-48
761122	66-LFDD-48
761124	72-LFDD-48

60" Length - 4" Sq. Hub

Part No.	Description
761134	16-LFDD-60
761136	18-LFDD-60
761138	20-LFDD-60
761140	24-LFDD-60
761142	30-LFDD-60
761144	36-LFDD-60
761146	42-LFDD-60
761148	48-LFDD-60
761150	54-LFDD-60
761152	60-LFDD-60
761154	66-LFDD-60
761156	72-LFDD-60



TRIFLOW