

AGGRESSOR[®] AUGER



AUGERS | 49" OAL (6" and 9") 51" OAL (12"-36")

2" HEX

ITEM	DIA	NO. TEETH	LBS	PN
6-AR-49	6"	2	54	135546
9-AR-49	9"	4	78	135547
12-AR-51	12"	4	114	135548
15-AR-51	15"	5	117	135549
18-AR-51	18"	6	145	135550
24-AR-51	24"	8	210	135551
30-AR-51	30"	10	225	135552
36-AR-51	36"	12	295	135553

2 9/16" ROUND

ITEM	DIA	NO. TEETH	LBS	PN
6-AR-49	6"	2	54	135534
9-AR-49	9"	4	78	135535
12-AR-51	12"	4	114	135536
15-AR-51	15"	5	117	135537
18-AR-51	18"	6	145	135538
24-AR-51	24"	8	210	135539
30-AR-51	30"	10	225	135540
36-AR-51	36"	12	295	135541

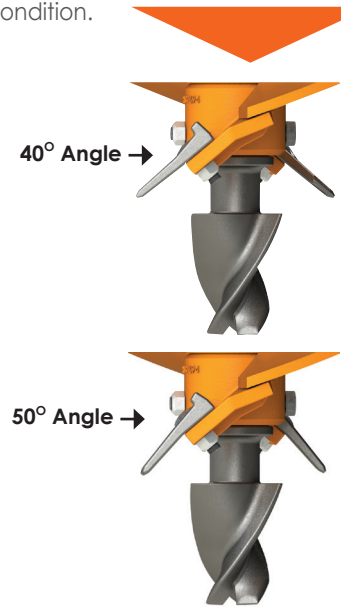
2" ROUND

ITEM	DIA	NO. TEETH	LBS	PN
6-AR-49	6"	2	54	135570
9-AR-49	9"	4	78	135571
12-AR-51	12"	4	114	135572
15-AR-51	15"	5	117	135573
18-AR-51	18"	6	145	135574
24-AR-51	24"	8	210	135575
30-AR-51	30"	10	225	135576
36-AR-51	36"	12	295	135577

The Aggressor[®] Auger item numbers above are for standard augers only. These augers will be shipped with standard teeth and pilot. You may order additional upgraded wear parts to enhance the drilling capabilities of your auger.



AGGRESSOR[®] auger teeth are for use in dirt, abrasive soil or fractureable rock, depending on the type of tooth you are using. All types of the 40/50 tooth can be used at either a 40° or 50° angle providing different attack angles based on your drilling condition.



PARTS | TriFlow[®] Pilot Bits

 TF-350 LBS 5 PN 135088	 TF-350HF LBS 5.5 PN 135089	 TF-350CXC LBS 5.8 PN 135091	 TF-350HFTC LBS 5.5 PN 135092	 TF-350C LBS 5.5 PN 135090
---	---	--	---	--

PARTS | Teeth

 40/50 Tooth LBS .5 PN 134501	 40/50HFF Tooth LBS .5 PN 134802	 40/50C Tooth LBS .65 PN 134519
---	--	---

THE NUTS & BOLTS:

for 40/50 Teeth
 Carriage Bolt PN 134677
 Hex Nut Lock PN 134527

for TriFlow 350 Pilot Bits
 3.5" Hex Bolt (6"-9" dia.) PN 174447
 4" Hex Bolt (12" plus dia.) PN 174448
 Hex Nut Lock PN 134527

