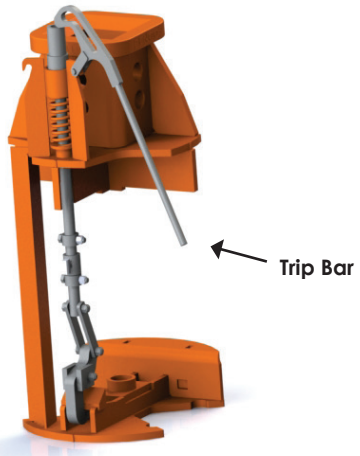
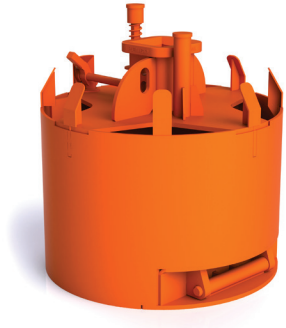




# SFL COMBO BUCKETS

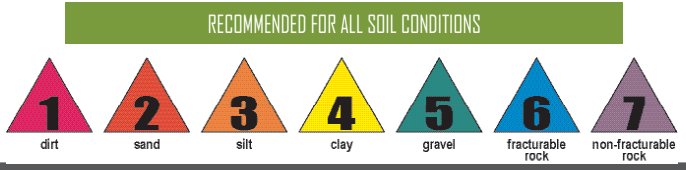
40" Barrel Length

Patent No. 8,615,906



CONNECTIONS			AUGER DIAMETERS	
SQUARE - SQUARE	3"	3 1/2"	4"	24" TO 72"
	133MM	150MM		
	177MM	200MM		
CUT DIAMETER				True Cut diameter is equal to the auger diameter.

DRILLING SOIL CONDITIONS:



Three tools in one! Pengo provides yet another solution for your drilling needs. The rugged hard-faced combo bucket features a patented scissor latch and CAM activated release system. Located in the vent, the double-finger latch system (on buckets 36" dia. and larger) stays protected from the drilling spoils, thus allowing the scissor to function without any interference. Note: Buckets from 24" to 36" are single-finger latch, and are not projected like the double-finger latch.

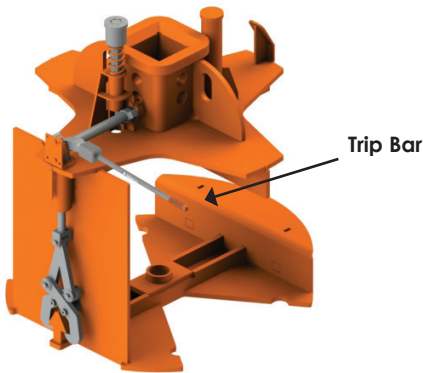
The double open bottom design allows the operator to open the bottom plate either manually or automatically. Choose from dirt, rock or clean-out drill bottoms.

Contact Your Pengo Rep to Configure Your Core Barrel Today!



SPOT ON!  
Configuring & Quoting

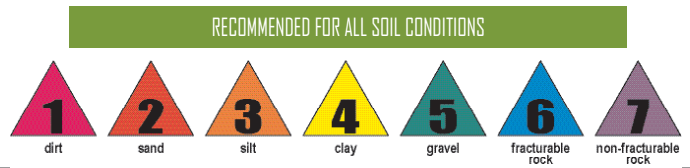
# DFL COMBO BUCKETS



Trip Bar

CONNECTIONS			AUGER DIAMETERS	
SQUARE SQUARE SQUARE	3"	3 1/2"	4"	24" TO 72"
	133MM	150MM		
	177MM	200MM		
CUT DIAMETER				
True Cut diameter is equal to the auger diameter.				

DRILLING SOIL CONDITIONS:



Three tools in one! Pengo provides yet another solution for your drilling needs. The rugged hard-faced combo bucket features a patented scissor latch and CAM activated release system. Located in the vent, the double-finger latch system (on buckets 36" dia. and larger) stays protected from the drilling spoils, thus allowing the scissor to function without any interference. Note: Buckets from 24" to 36" are single-finger latch, and are not projected like the double-finger latch.

The double open bottom design allows the operator to open the bottom plate either manually or automatically. Choose from dirt, rock or clean-out drill bottoms.

Contact Your Pengo Rep to Configure Your Core Barrel Today!



SPOT ON!  
Configuring & Quoting